

PRODUCT OVERVIEW

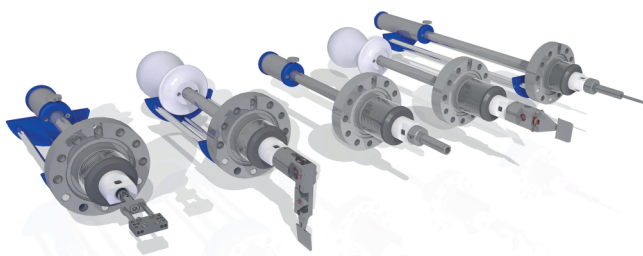
Ferrovac GmbH :: Swiss Precision UHV Technology

Our main area is the design and production of components and systems for ultra high vacuum technology as well as the development of scientific instruments for surface science and nanotechnology.

Our valued customers benefit not only from standard-setting Swiss precision in manufacturing and engineering, but also from our accommodating, high quality services in support, repairs and consulting.

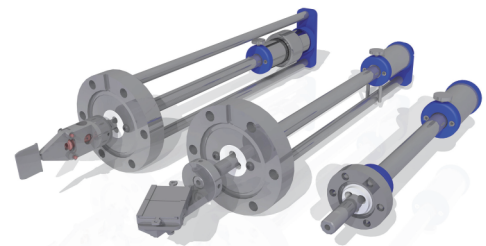
Ferrovac's experts have profound knowledge of ultra high vacuum technology, experimental physics and scanning probe microscopy and our engineers work with the most advanced 3D-CAD technology.

Customization is our daily business: **You name it, we build it...**



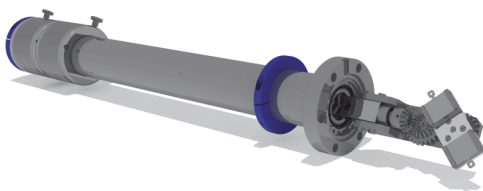
Wobblesticks & Accessories

Single and Dual Shaft Magnetically Driven Wobblestick Manipulators for UHV Systems.



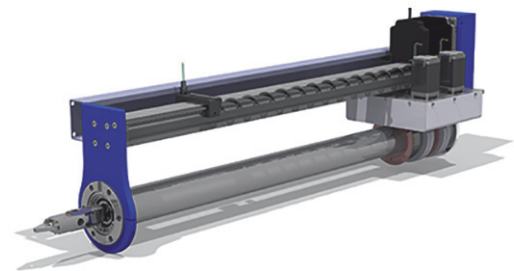
Motion Feedthroughs & Accessories

Miniature Linear-Rotary and Rotary Feedthroughs



Sample Transporters & Accessories

Transfer Rods, Single and Dual Shaft



Motorization Options

Motorization for Linear/Rotary Feedthroughs and Sample Transporters



UHV Suitcases & Accessories

Compact UHV Suitcases (Portable Load Locks)



XYZ-Manipulators

Bellows Sealed Translators

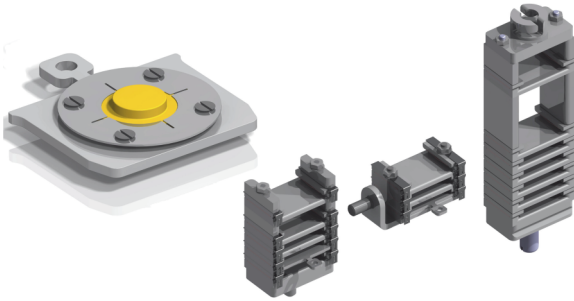
FERROVAC GMBH

ULTRA HIGH VACUUM TECHNOLOGY

THURGAUERSTRASSE 72
CH-8050 ZÜRICH

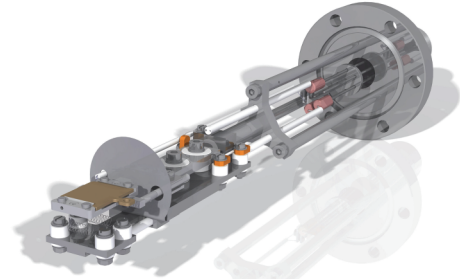
SALES@FERROVAC.COM
WWW.FERROVAC.COM

PHONE +41 44 273 16 38



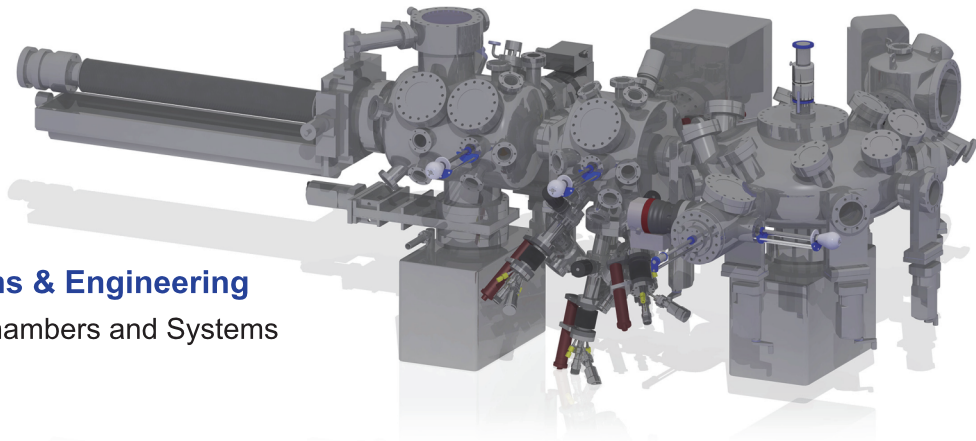
Sample Holders & Receivers

Sample Plates, Holders, Carriers,
Receivers, Drawers & Parking Lots



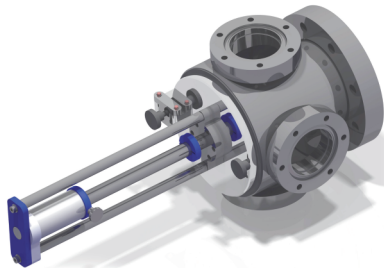
Sample Heating Stages

For SHOM Flag Style Sample Plates



UHV-Systems & Engineering

Custom UHV Chambers and Systems



Fast Entry Locks

Load Lock Systems



Port Aligners

For Angular, Linear & Lateral
Adjustment and Compensation



Laboratory Equipment

Vacuum Exsiccator Cabinets & Roughing Pumps



In-Vacuum Small Components

Precision Contract Manufacturing, Ball-Bearings,
Fasteners, Connectors & Wiring

REV 20180814

SWISS UHV TECHNOLOGY SINCE 1996